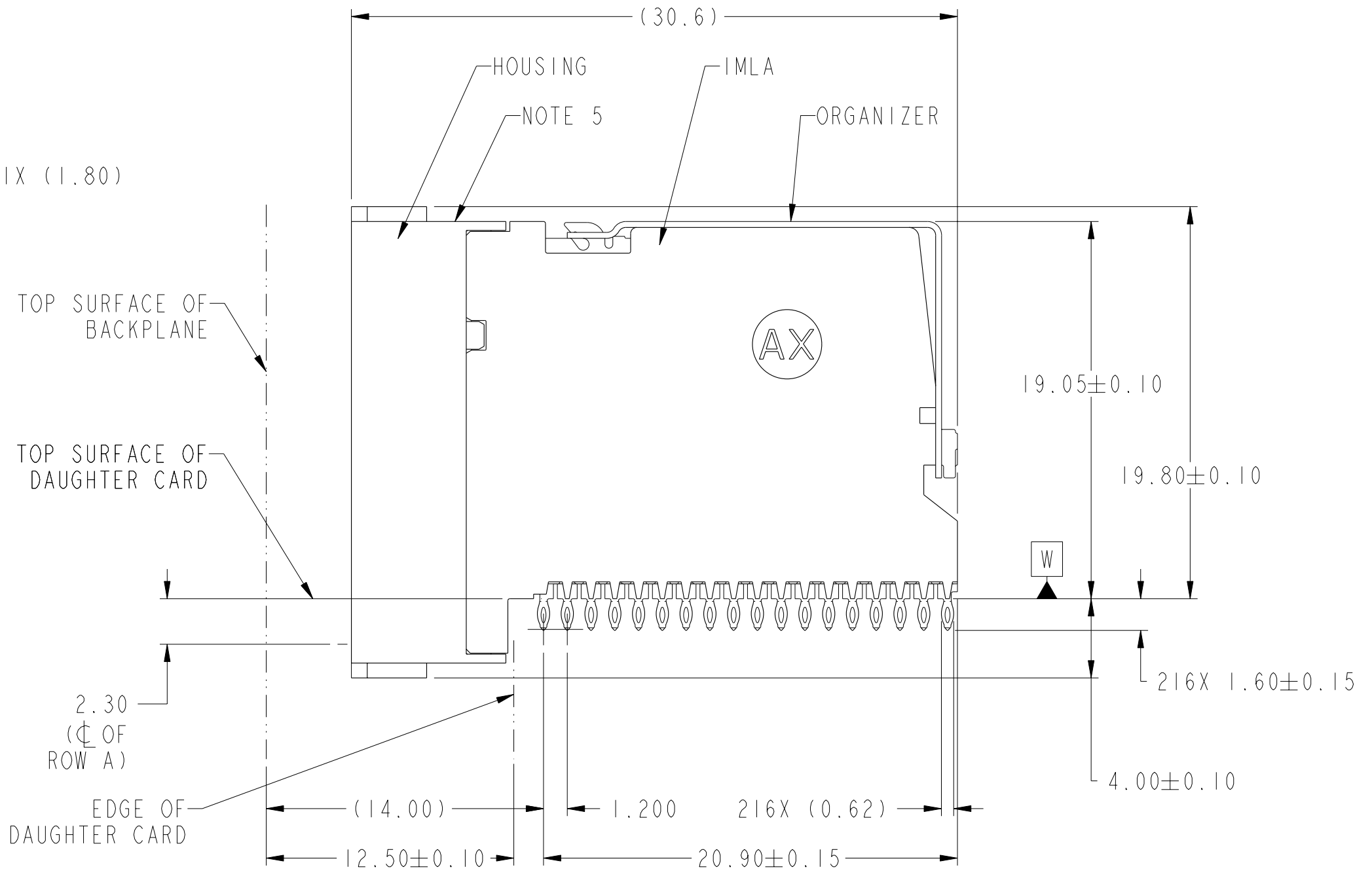
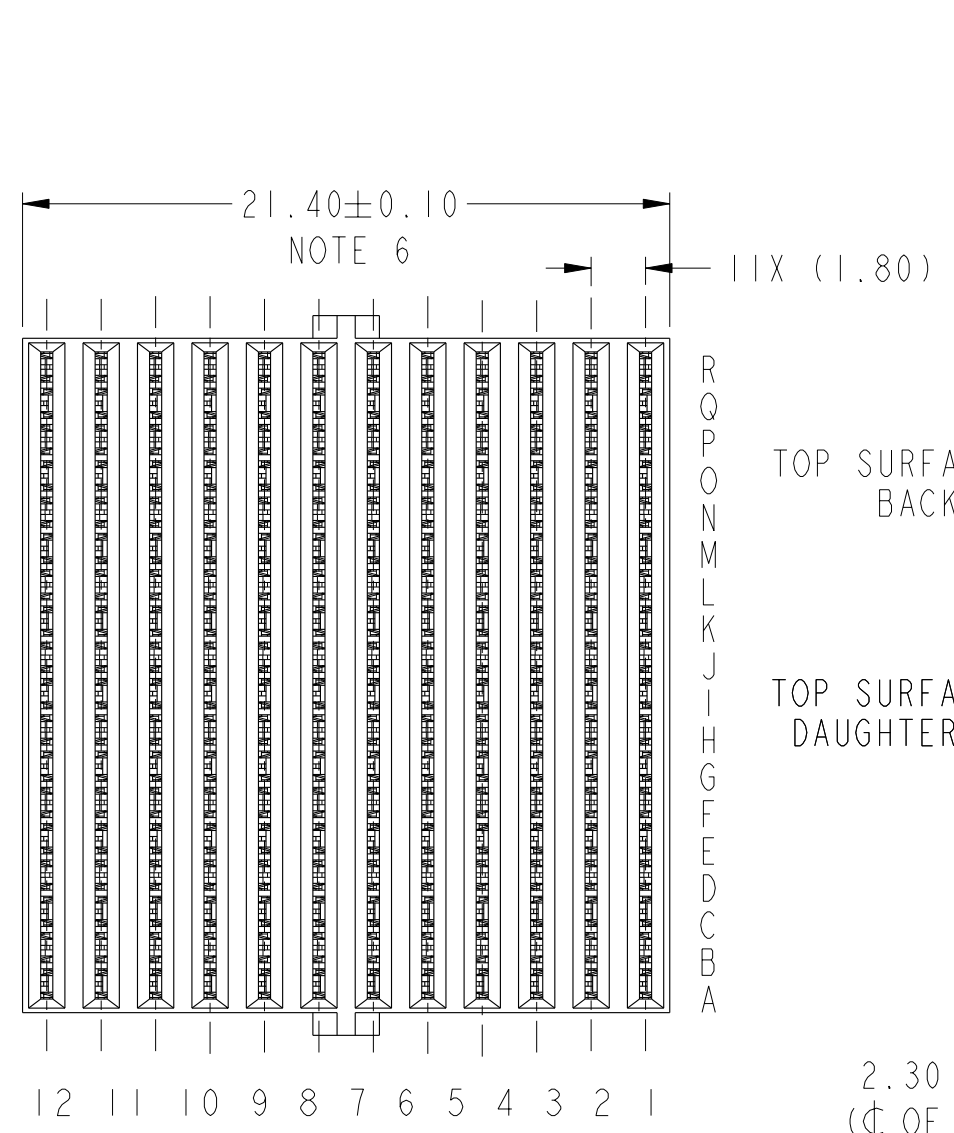


PRODUCT NUMBER
SEE SHEET 3

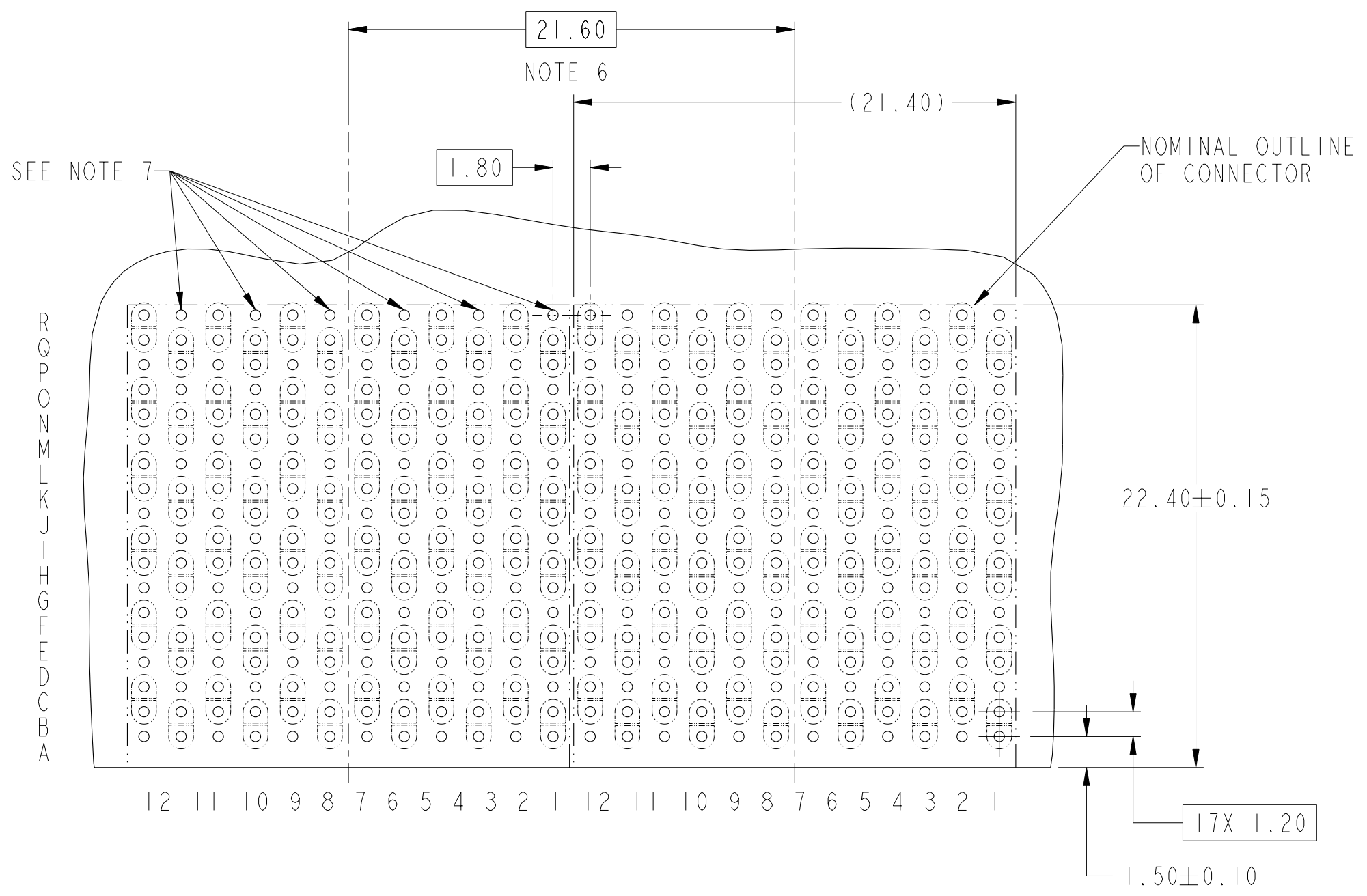


Copyright FCI.

rev	ecn no	dr	date
1	ISSUED	SCS	2007-03-01
2	REVISED	SCS	2007-05-08
3	REVISED	SCS	2007-06-08
4	REVISED	SCS	2007-08-29
-	-	-	-
-	-	-	-
-	-	-	-

www.fciconnect.com			surface - ✓	tolerance std	projection	MM
			TOLERANCES UNLESS OTHERWISE SPECIFIED		⊕	
Dr	STU STONER	2007-03-01	ANGULAR	LINEAR	0.X	±
Eng	S MINICH	2007-03-02			0.XX	±
Chr	S MINICH	2007-03-02			0.XXX	±
Appr	S MINICH	2007-03-02	Product family		ZipLine	Spec ref ---
FCI			Title		ZipLine R/A REC ASSY	dwg no 10076209
			Title		6 PR, 12 IMLA, 1.8MM PITCH, 21.6MM	
			catalog no		-	CUSTOMER
						sheet 1 of 3

REV F - 2006-04-17



RECOMMENDED PCB LAYOUT
FOR DIFFERENTIAL APPLICATIONS
COMPONENT SIDE
(TWO ADJACENT FOOTPRINTS SHOWN)
NOTES 6, 7, & 8



Copyright FCI.

	Title ZipLine R/A REC ASSY 6 PR, 12 IMLA, 1.8MM PITCH, 21.6MM	dwg no 10076209	Rev. 4
	catalog no -	CUSTOMER	sheet 2 of 3

PRODUCT NUMBER	PRESS-FIT TAIL PLATING TYPE
10076209-101	TIN/LEAD ALLOY OVER NICKEL
10076209-101LF	TIN OVER NICKEL (LEAD FREE)

- ① - CONNECTOR MATERIALS:
HOUSING: HIGH TEMP THERMOPLASTIC, BLACK, UL94-V0
IMLA PLASTIC: HIGH TEMP THERMOPLASTIC, BLACK, UL94-V0
CONTACT: COPPER ALLOY
ORGANIZER: STAINLESS STEEL
- 2 - CONTACT PLATING:
SEPARABLE INTERFACE:
PERFORMANCE-BASED PLATING, QUALIFIED TO MEET THE
REQUIREMENTS OF FCI PRODUCT SPECIFICATION GS-12-452
INCLUDING TELCORDIA GR-1217-CORE (NOVEMBER 1995)
CENTRAL OFFICE TEST SEQUENCE
- PRESS-FIT TAILS: SEE TABLE
- 3 - PRODUCT SPECIFICATION: GS-12-452
- 4 - APPLICATION SPECIFICATION: GS-20-094
- ⑤ - PRODUCT MARKING, (PART NUMBER & LOT CODE), ON THIS SURFACE.
- ⑥ - THE MINIMUM CENTERLINE SPACING BETWEEN ADJACENT
MODULES IS 21.6MM.
- ⑦ - THERE IS NO GROUND BUSSING WITHIN THE CONNECTOR EXCEPT FOR
POSITIONS R1,R3,R5,R7,R9,& R11. THESE MUST BE ASSIGNED AS GROUNDS.

- ⑧ - REFER TO CUSTOMER DRAWING 10045979 FOR INFORMATION
ON PCB HOLE DIAMETERS AND PLATING OPTIONS
- 9 - LEAD FREE PRODUCT MEETS THE EUROPEAN UNION DIRECTIVES &
OTHER COUNTRY REGULATIONS AS DESCRIBED IN GS-22-008
- 10 - THE HOUSING WILL WITHSTAND EXPOSURE TO 260°C
PEAK TEMPERATURE FOR 40 SECONDS IN A CONVECTION,
INFRA-RED, OR VAPOR PHASE REFLOW OVEN.
- 11 - PACKAGING MEETS GS-14-920 LEAD FREE LABELING
SPECIFICATION.



Copyright FCI.

	title ZipLine R/A REC ASSY 6 PR, 12 IMLA, 1.8MM PITCH, 21.6MM	dwg no 10076209	Rev. 4
	catalog no -	CUSTOMER	sheet 3 of 3